

## Step Window Well Installation Instructions



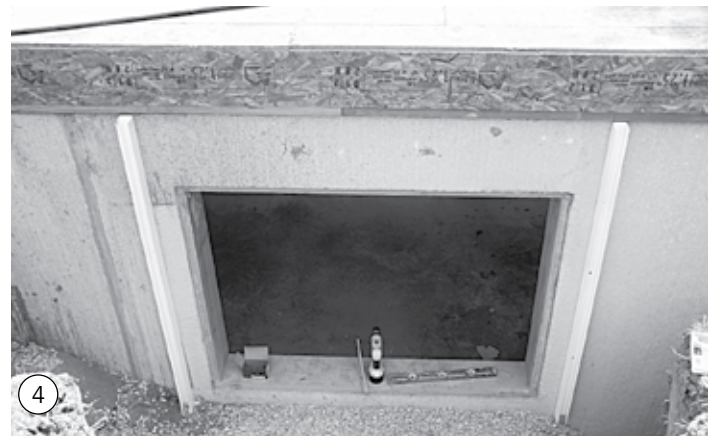
① Properly prepared, a well site is over-cut 4" - 6" This will leave sufficient area to be "back filled" with clean ¾" stone after the installation is complete. Before installing the first well section, put 4" of clean ¾" stone below the window.



Mark the wall for U-channels according to the width of the window well. Make sure it is evenly spaced with the window in the center. Using Tapcon™ screws, attach first U-channel at desired height with top of channel 4" above final grade. Make sure it is plumb before attaching.



Level across to find position of second U-channel height. Check for plumb. Attach to wall. Using a silicone caulking, place a bead of caulking along side of U-channel at the wall.

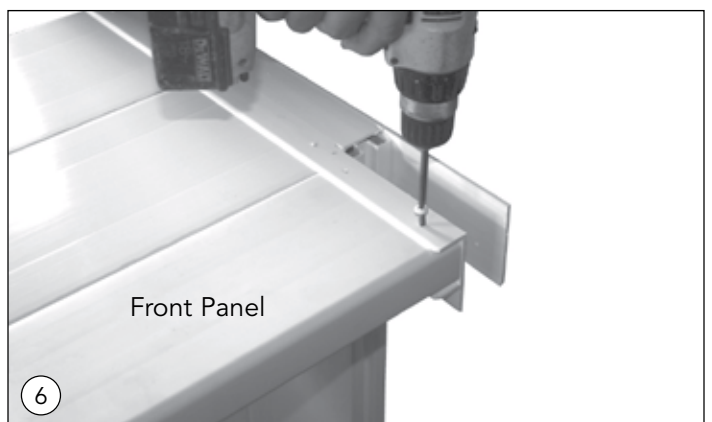


④ Ready to receive the well sections.



⑤ On a clean flat surface, assemble the well sections by sliding the sidewall onto the front wall as shown. Note that the inside of the front wall has a decal at the bottom and with units over 48" wide there are screws stabilizing the assembly on the back of the panel.

\*Steel included over 42" front width.



⑥ Set well upside down onto the sidewalls and secure corner connector using pilot holes and supplied #14 ¾" white screws. Note: Keep sidewalls and front panel flush in the corner connector channel before securing with screws.

## Step Window Well Installation Instructions



7 Carefully transfer the assembled well section to the mounting channel and slide it into place to arrow in channel. Drive in top screws.



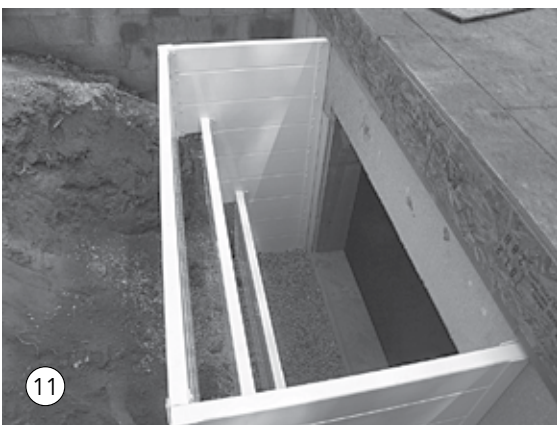
8 Place a level on a side panel. Keeping front slightly high, drive two screws into each plank in the wall, starting at the bottom. Note: Front panel needs to be perfectly level. Drive screws into the other side panel.



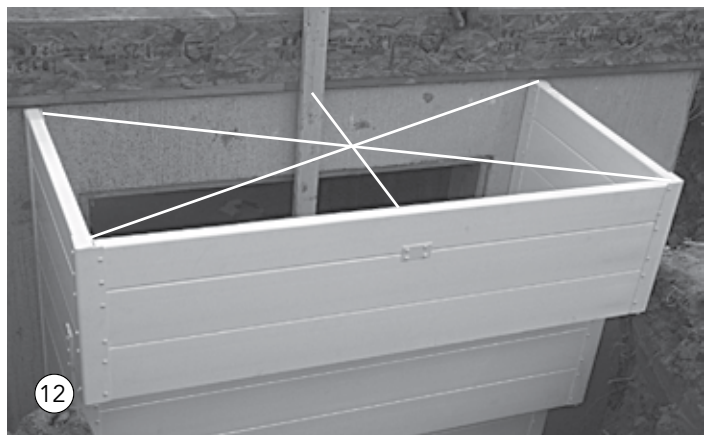
9 Repeat steps 5, 6, 7, and 9 to assemble the next course, and then position and secure it. Use a bead of caulking between each course.



10 Connect the new course with the previous course by driving screws through the tab into the panel, as shown.



11 An average window well will require three courses to complete.



12 Before back filling, each section should be braced both in the corners and in the center. Clean stone provides the least pressure on the walls. Even though the walls are reinforced with a galvanized steel channel, care should be used in back filling to avoid causing distortion.

After back filling is complete, the final grade can be finished by sloping the surface material away from the edges of the well.

**CAUTION:** Compaction by heavy equipment may cause damage to wells. Keep all heavy equipment 10 feet away.